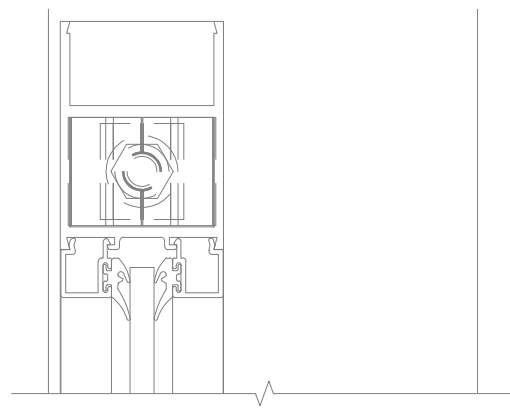
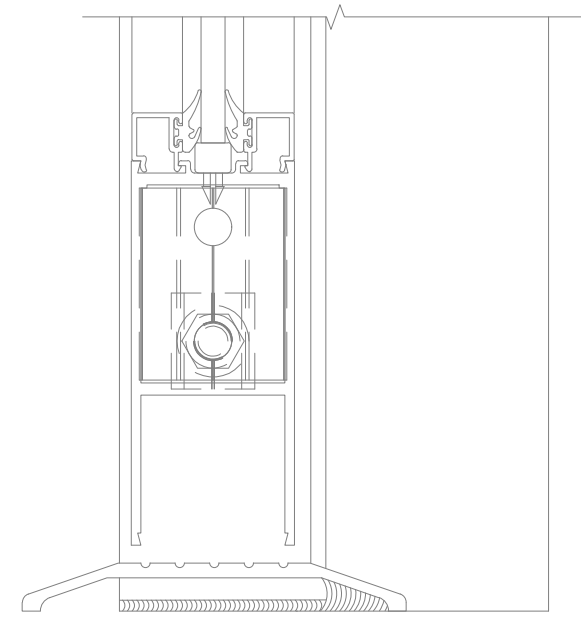


NO CABLE ROUTING
TOP RAIL

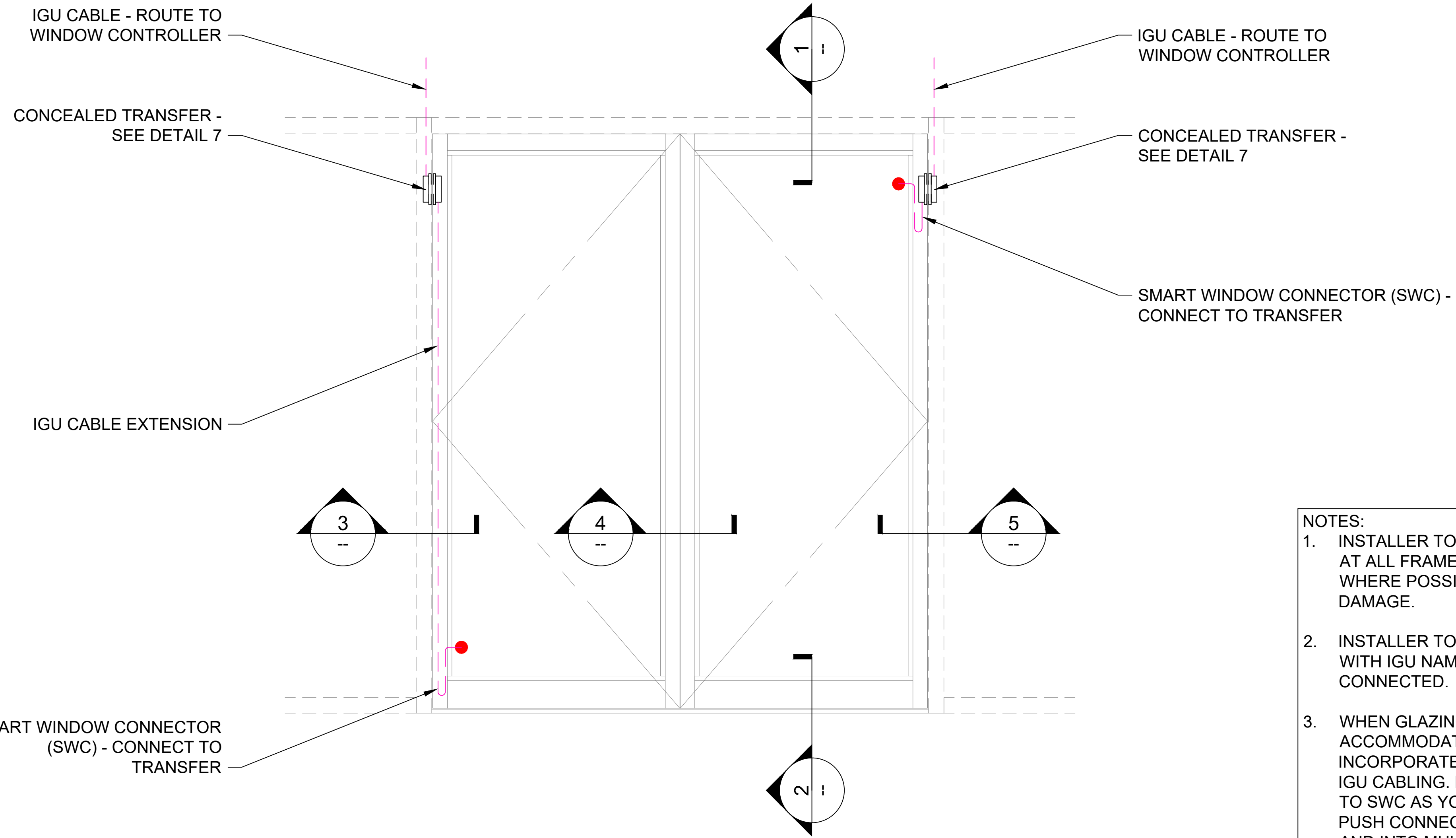


DETAIL 1
TOP RAIL

NO CABLE ROUTING
BOTTOM RAIL

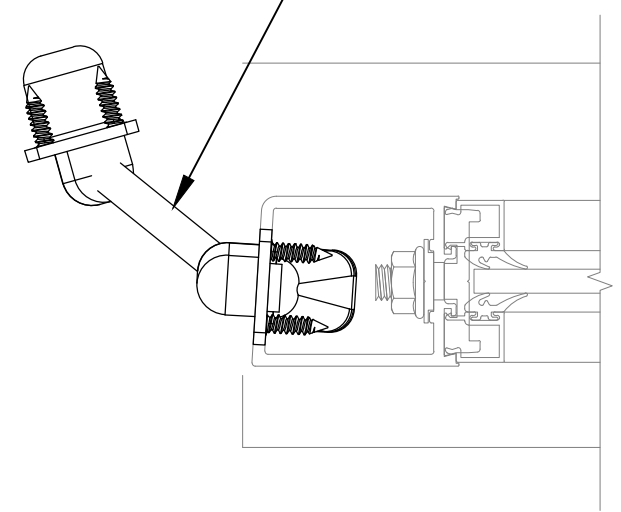


DETAIL 2
BOTTOM RAIL



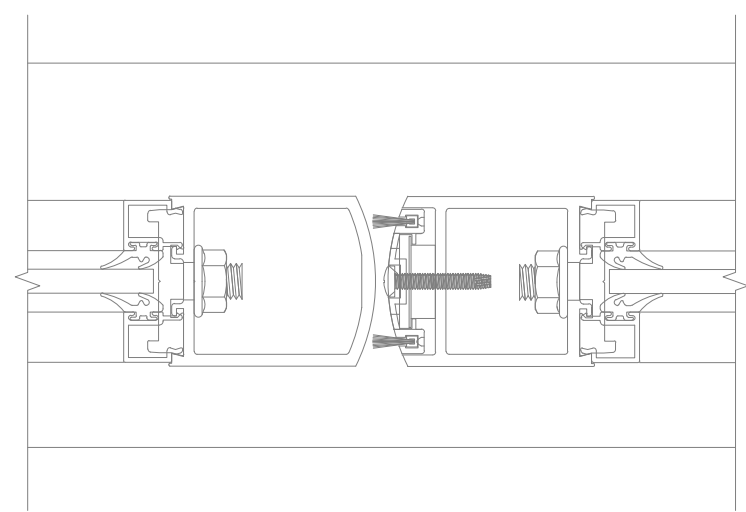
- NOTES:
1. INSTALLER TO PROVIDE GROMMETS AT ALL FRAME PENETRATIONS WHERE POSSIBLE TO AVOID CABLE DAMAGE.
 2. INSTALLER TO LABEL IGU CABLES WITH IGU NAME TO WHICH IT IS CONNECTED.
 3. WHEN GLAZING POCKET CANNOT ACCOMMODATE IGU/SWC, INCORPORATE SERVICE LOOP INTO IGU CABLING. MAKE CONNECTION TO SWC AS YOU ARE GLAZING AND PUSH CONNECTOR THROUGH HOLE AND INTO MULLION.
 4. NO WIRE ROUTING IN SILL.

CONCEALED TRANSFER - SEE DETAIL 7

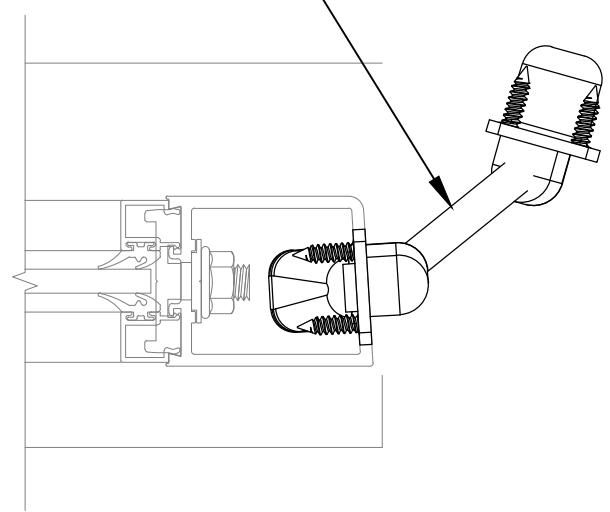


DETAIL 3
STILE, LEFT

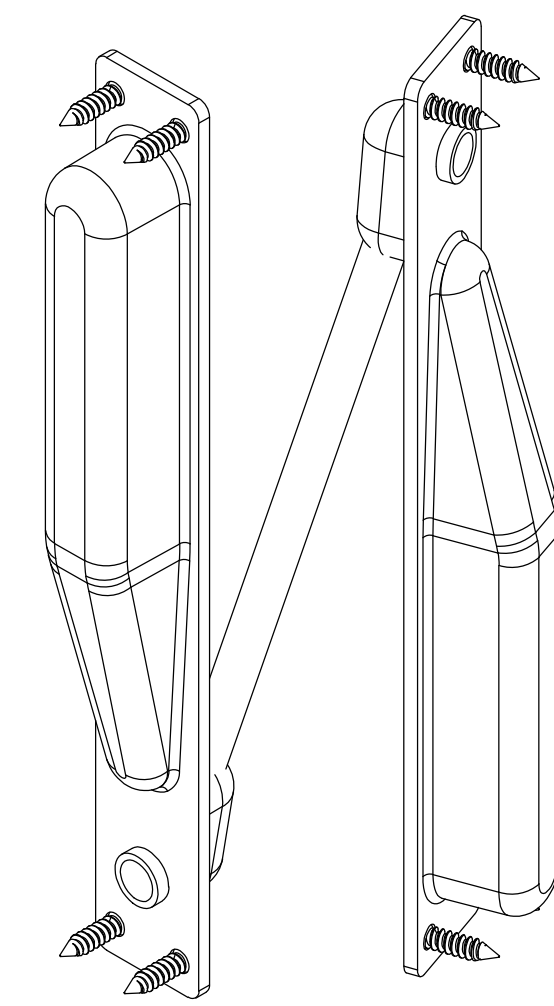
CONCEALED TRANSFER - SEE DETAIL 7



DETAIL 4
MEETING STILES



DETAIL 5
STILE, RIGHT



DETAIL 7
CONCEALED TRANSFER

1 INSTALLATION DETAILS: FOR EFCO - D200 (DOORS)

PLOT DATE: November 20, 2019

SCALE: 1:2